

# Pool Breakdown

## Tahitian 18'x33' Oval – 54"

**NB1208**

(mfr. Name – Escalade)

<p><b><u>FEATURES:</u></b>                  Oval                  Size: 18'x33'                  Depth: 54"                  60 Year Warranty</p>	<p><b><u>STRUCTURE COMPOSITION:</u></b>                  Resin Top rails                  Wall pattern printed uprights                  Painted steel bottom rails                  Steel-square stabilizers</p>
---	---

	Qty	Carton #	Carton Content Description
<input type="checkbox"/>	1	CRESC18TR-12R	ESCALADE – TOP RAIL RESIN
<input type="checkbox"/>	1	CRESCUW54-14	ESCALADE- 54" UPRIGHT CURVED SIDE-PRINTED
<input type="checkbox"/>	1	CVESCTR-10	ESCALADE- OVAL PARTS; RESIN TOP RAIL
<input type="checkbox"/>	1	CVESCVS54-08	ESCALADE- COPING, UPRIGHT STRAIGHT SIDE, PLASTISOL
<input type="checkbox"/>	1	CVSTRAP18-12	UNIVERSAL- OVAL PARTS, STRAP
<input type="checkbox"/>	2	CVUCGTPE-0404	UNIVERSAL- OVAL PARTS, STRAIGHT SIDE PARTS
<input type="checkbox"/>	1	CXESC1833-PSAR1	ESCALADE – STABILIZER STEEL, BOTTOM RAIL, COPING, BOTTOM PLATE, TOP COVER, TOP PLATE
<input type="checkbox"/>	1	WWDF54S-WMB1833-1011	WINDRIFT 54 STL WALL

## Carton Breakdown

# Tahitian 18'x33' Oval – 54"

**NB1208**

(mfr. Name – Escalade)

<b>CARTON # CXESC1833-PSAR1</b>				
KEY	QTY	ITEM #	MFG PART #	DESCRIPTION
1	8	NBP3157	16799	Center Stabilizer
1	6	NBP3156	16798	Middle Stabilizer
1	4	NBP3155	16797	Corner Stabilizer
1	12	NBP3145	15340	Inner Stabilizer Sq
2	6	NBP3153	16713	Bottom Rail STR Side
2	12	NBP3142	14949	Bottom Rail STL
2	4	NBP3154	16714	Bottom Rail Corner
3	14	NBP3116	14439	Top Plate
4	14	NBP3115	14438	Bottom Plate
7	21	NBP3078	10296	Plastic Coping
8	14	NBP3120	14443	Upright Boot
9	22	NBP3119	14442	Inner Seat Top Cover
10	14	NBP3117	14440	Seat Cover Cap
10	8	NBP3118	14441	Top Cover Cap
13	8	NBP3159	10136	Top Plate 4"
---	1	NBP3141	16678	Hdw SS
---	1	-----	95-0007	Envelope Safety Stickers
---	1	-----	95-0444	Oval Instructions
<b>CARTON# CVSTRAP18-12</b>				
17	8	NBP3163	16542	Connector Bottom Rail
18	8	NBP3162	16539	Upper Ground Channel
22	12	NBP3167	16726	Strap Section
23	8	NBP3168	22726	Channel End Cap
<b>CARTON # CVESCV54-08</b>				
14	8	NBP3121	34431	Oval Steel Upright
24	8	NBP3113	29917	Foam Block
<b>CARTON # CVESCTR-10</b>				
21	8	NBP3164	16549	Pressure Plate
6	10	NBP3124	16555	TR 8" Taupe Resin STR Side
---	1	NBP3133	19875	HDW SS Straight Side R
<b>CARTON # CRESC18TR-12R</b>				
6	12	NBP3123	16553	Top Rail
---	1	NBP3129	19081	Hardware SS TR Resin
---	1	-----	12571	Warranty
<b>CARTON # CRESCUW54-14</b>				
5	14	NBP3136	21444	Upright

## Carton Breakdown

# Tahitian 18'x33' Oval – 54"

**NB1208**

(mfr. Name – Escalade)

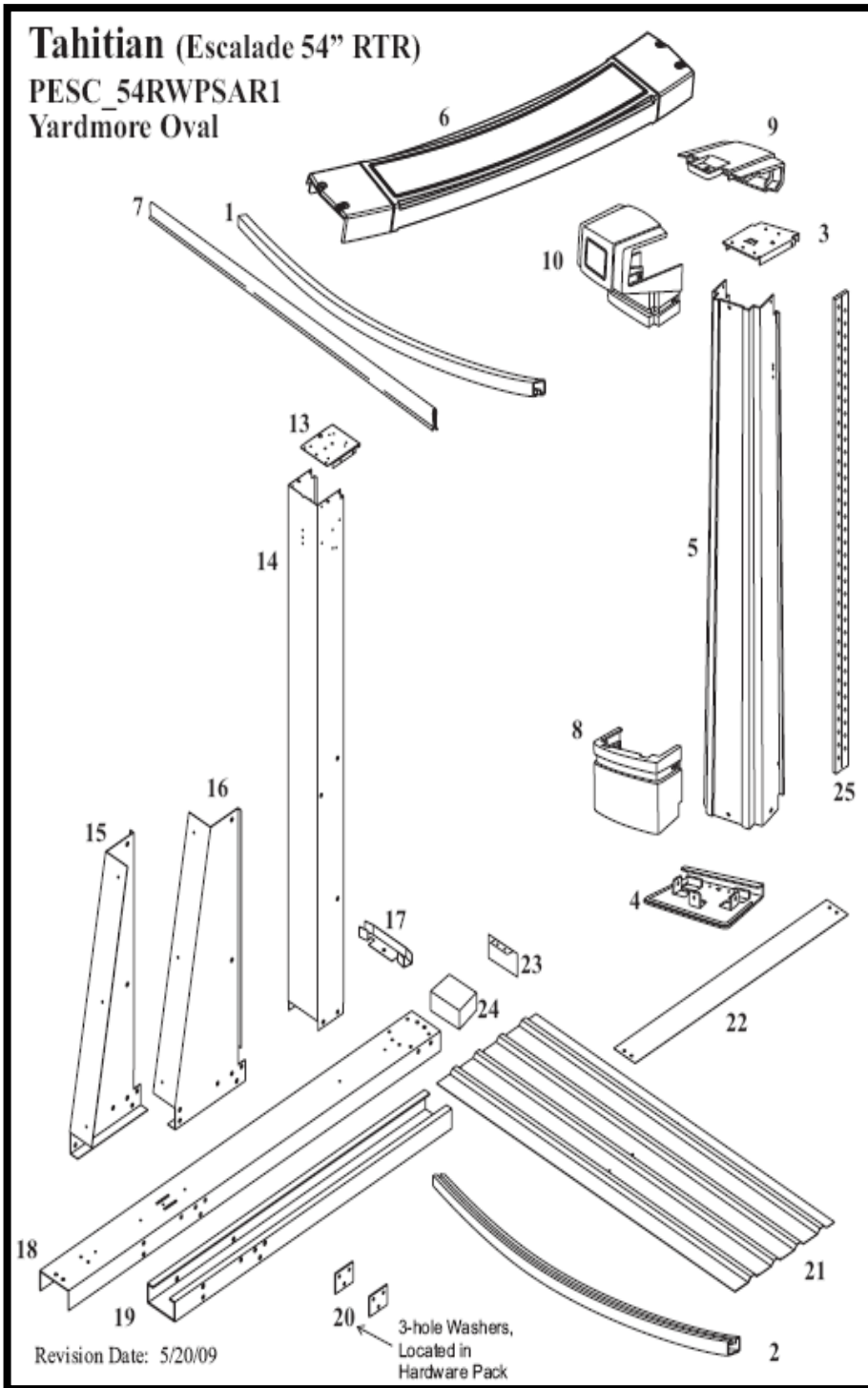
<b>WALL CARTON # WWDF54S-WMB1833-1011</b>				
KEY	QTY	ITEM #	MFG PART #	DESCRIPTION
25	2	NBP3192	17636	Wall Bar*
---	1	-----	WWDF54S	Windrift 54 STL Wall
---	1	NBP3170	10607	HDW SS #36 Bolt Set
---	1	NBP3171	19594	WS Panel SS Brite
<b>CARTON # CVUCGTPE-0404 (* QTY 2)</b>				
15	8	NBP3125	33090	Left Gusset
16	8	NBP3004	33091	Right Gusset
19	8	NBP3161	15933	Under Channel
---	2	NBP3165	16720	Hdw Base Pack YM

\*Pools with more than 40 screw holes where the wall fastens together will not include the wall bar – it is not necessary for installation on these pools.

# Tahitian 18'x33' Oval – 54"

NB1208

(mfr. Name – Escalade)



Key #	Part Description
1	Stabilizer
2	Bottom Rail
3	Top Plate
4	Bottom Plate
5	Upright
6	Top Rail
7	Coping
8	Upright Boot
9	Top Cover- Inner
10	Top Cover
13	Top Plate 4"
14	Oval Steel Upright
15	Left Gusset
16	Right Gusset
17	Connector Bottom Rail
18	Upper Ground Channel
19	Under Channel
21	Pressure Plate
22	Strap
23	Channel End Cap
24	Foam Block
25	Wall Bar (used for pools with fewer than 40 screw holes where wall connects)